



INVISIA
LIVE BEAUTIFULLY



SAFETY YOU'LL NOTICE, BUT NOT SEE.





BEAUTIFUL
PEACE OF
MIND

Our Design Approach	2
Our Commitment.....	2
Accent Ring	3
Corner Shelf.....	4
Towel Bar.....	5
Soap Dish	6
Toilet Roll Holder	7
Shampoo Shelf	8
Accent Bar.....	9
SerenaSeat	10
Bath Bench.....	11
Corner Seat	12

OUR DESIGN APPROACH

AT INVISIA, WE BELIEVE THE BATHROOM SHOULD BE A BEAUTIFUL, PEACEFUL, AND CALMING PLACE. A PLACE WHERE YOU CAN RELAX AFTER A LONG DAY AND FORGET ABOUT YOUR WORRIES. WE ALSO BELIEVE THAT THE BATHROOM SHOULD BE A SAFE PLACE.

EVERYTHING WE DESIGN AND MANUFACTURE IS INSPIRED BY THE IDEA THAT STYLE AND SAFETY ARE NOT MUTUALLY EXCLUSIVE. SOMETHING THAT'S ELEGANT CAN ALSO BE FUNCTIONAL. SOMETHING THAT'S BEAUTIFUL CAN ALSO PROVIDE SECURITY. SOMETHING STUNNING CAN BE SAFE.

INVISIA PRODUCTS GET NOTICED. MOST PEOPLE JUST DON'T REALIZE HOW SAFE THEY ARE.

OUR COMMITMENT

We think that people shouldn't have to choose between a beautiful bathroom and a safe bathroom. That's why we're committed to designing and manufacturing bathroom accessories that blend style and safety. So you can have peace of mind without sacrificing your design aesthetic.

ACCENT RING

A beautiful addition to any bathroom, the Accent Ring elegantly frames your shower valve while providing unparalleled support.



500 SUPPORTS UP TO 500LBS



DISCREET WALL STEMS WITH CONCEALED SCREWS
Makes mounting areas virtually invisible



MULTI-CONTACT WALL SUPPORT
4 points of contact for maximum structural support

Stainless Steel Finishes

INV-ACR-CP *INV-ACR-BS* *INV-ACR-ORB*
Chrome Brushed Bronze

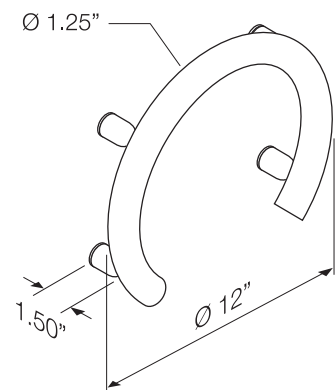


ADA Compliant

- Rail Diameter (1.25")
- Wall Clearance (1.50")

Exceeds ADA 4.26.3 structural strength requirements for grab bars and fasteners (250lbs)

Product Dimensions



CORNER SHELF

You can never have too much shelf space in the shower, especially when it looks this good. The Corner Shelf incorporates a solid support bar for added assistance. It also features a removable tray for easy cleaning.



500 SUPPORTS UP TO 500LBS



PLASTIC CAPS CONCEAL MOUNTING SCREWS
Makes mounting areas virtually invisible



MULTI-CONTACT WALL SUPPORT
4 points of contact for maximum structural support

Stainless Steel Finishes

INV-CS-CP Chrome INV-CS-BS Brushed INV-CS-ORB Bronze



Tray Surface



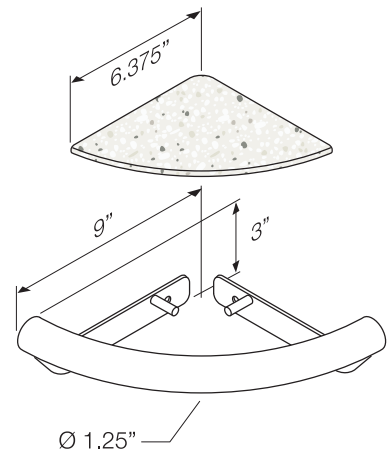
Solid surface is nonporous, and resists the growth of mold and bacteria.

ADA Compliant

- Rail Diameter (1.25")

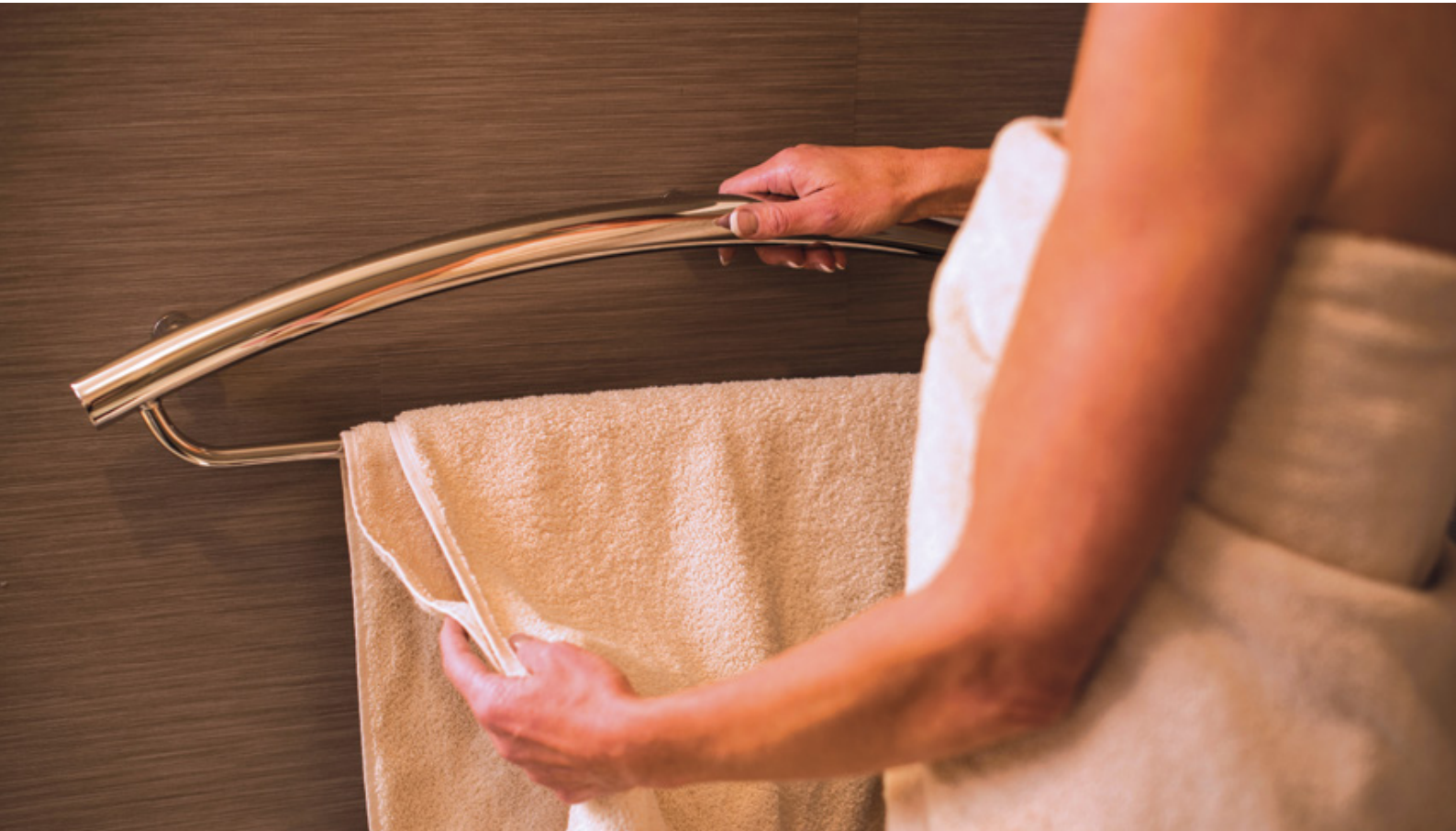
Exceeds ADA 4.26.3 structural strength requirements for grab bars and fasteners (250lbs)

Product Dimensions



TOWEL BAR

The sleek Towel Bar gives any bathroom a modern look while providing a secure bar to hold onto when drying off.



500
SUPPORTS UP
TO 500LBS



**DISCREET WALL STEMS
WITH CONCEALED SCREWS**
Makes mounting areas
virtually invisible



MULTI-CONTACT WALL SUPPORT
3 points of contact for maximum
structural support



WIDTHS
16" and 24"

Stainless Steel Finishes

INV-TBXX-CP INV-TBXX-BS INV-TBXX-ORB
Chrome Brushed Bronze



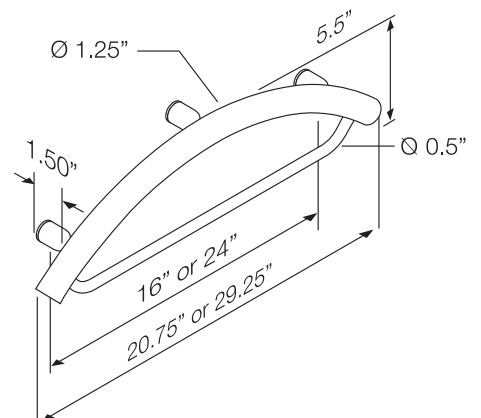
(XX = 16 and 24)

ADA Compliant

- Rail Diameter (1.25")
- Wall Clearance (1.50")

Exceeds ADA 4.26.3 structural strength requirements for grab bars and fasteners (250lbs)

Product Dimensions



SOAP DISH

The perfect place to store your soap also offers just the right amount of assistance. It also features a removable soap tray for easy cleaning.



500 SUPPORTS UP TO 500LBS

DISCREET WALL STEMS WITH CONCEALED SCREWS
Makes mounting areas virtually invisible

MULTI-CONTACT WALL SUPPORT
3 points of contact for maximum structural support

Stainless Steel Finishes

INV-SD-CP Chrome INV-SD-BS Brushed INV-SD-ORB Bronze



Tray Surface



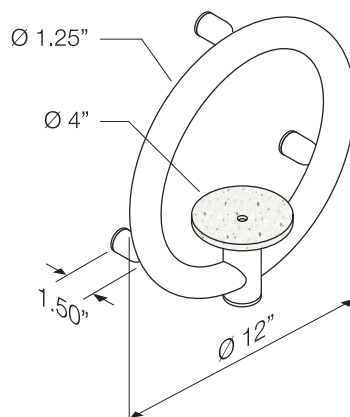
Solid surface is nonporous, and resists the growth of mold and bacteria.

ADA Compliant

- Rail Diameter (1.25")
- Wall Clearance (1.50")

Exceeds ADA 4.26.3 structural strength requirements for grab bars and fasteners (250lbs)

Product Dimensions



TOILET ROLL HOLDER

A stunning addition to any bathroom that offers discreet support for sitting down on and getting up from the toilet.



500 SUPPORTS UP TO 500LBS



DISCREET WALL STEMS WITH CONCEALED SCREWS
Makes mounting areas virtually invisible



MULTI-CONTACT WALL SUPPORT
4 points of contact for maximum structural support

Stainless Steel Finishes

INV-WTRH-CP Chrome INV-WTRH-BS Brushed INV-WTRH-ORB Bronze

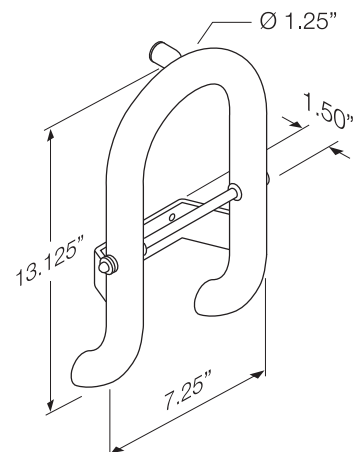


ADA Compliant

- Rail Diameter (1.25")
- Wall Clearance (1.50")

Exceeds ADA 4.26.3 structural strength requirements for grab bars and fasteners (250lbs)

Product Dimensions



SHAMPOO SHELF

Store your shampoo bottles on a sophisticated shelf that incorporates a support bar to provide peace of mind. It also features a removable tray for easy cleaning.



500 SUPPORTS UP TO 500LBS

DISCREET WALL STEMS WITH CONCEALED SCREWS
Makes mounting areas virtually invisible

MULTI-CONTACT WALL SUPPORT
4 points of contact for maximum structural support

Stainless Steel Finishes

INV-SHS-CP Chrome INV-SHS-BS Brushed INV-SHS-ORB Bronze



Tray Surface



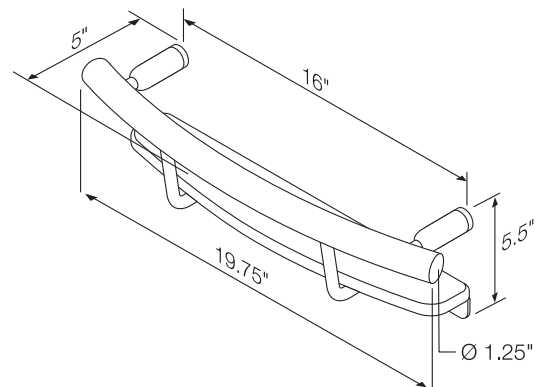
Solid surface is nonporous, and resists the growth of mold and bacteria.

ADA Compliant

- Rail Diameter (1.25")

Exceeds ADA 4.26.3 structural strength requirements for grab bars and fasteners (250lbs)

Product Dimensions



ACCENT BAR

A bold, stylish way to breathe new life into any bathroom, our Accent Bar can be placed wherever support is needed.



500 SUPPORTS UP TO 500LBS

FLANGE COVER CONCEALS MOUNTING SCREWS
Makes mounting areas virtually invisible

VERSATILE INSTALLATION
Horizontal, vertical, or angled

Stainless Steel Finishes

INV-ACB-CP *Chrome* INV-ACB-BS *Brushed* INV-ACB-ORB *Bronze*

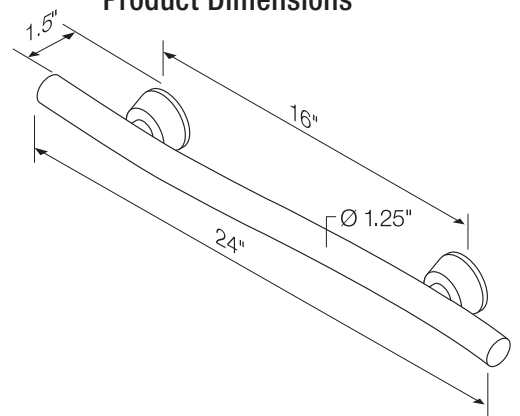


ADA Compliant

- Rail Diameter (1.25")
- Wall Clearance (1.50")

Exceeds ADA 4.26.3 structural strength requirements for grab bars and fasteners (250lbs)

Product Dimensions



SERENASEAT

Inspired by the spa, this beautiful seat provides an area for rest and relaxation. Can easily fold up against the wall when not in use.



SUPPORTS UP TO 500LBS



SEAT WIDTHS
18" and 26"



BAMBOO SEAT

Sustainable, hypoallergenic and naturally resistant to moisture, temperature and bacteria.

Frame Finishes

INV-WS18-CP
Chrome



INV-WS18-BS
Brushed



INV-WSXX-PCG
Grey



INV-WSXX-ORB
Bronze

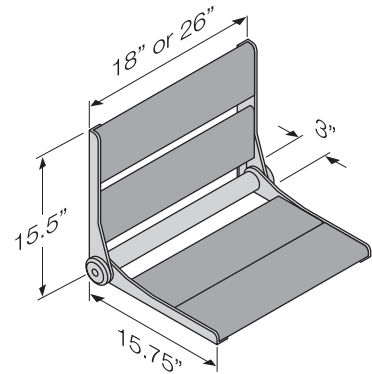


(XX = 18 and 26)

ADA Compliant

Exceeds ADA 4.26.3 structural strength requirements for shower seats and fasteners (250lbs)

Product Dimensions



BATH BENCH

The perfect place to put a glass of wine and a good book also doubles as a seating surface. Can easily be removed and stored out of the way.



500 SUPPORTS UP TO 500LBS

FITS TUB WIDTHS
19.75" to 27.25"



BAMBOO SEAT
Sustainable, hypoallergenic and naturally resistant to moisture, temperature and bacteria.

Frame Finishes

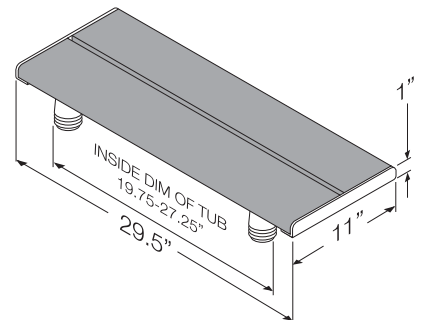
INV-WSBB-PCG *INV-WSBB-ORB*
Grey Bronze



ADA Compliant

Exceeds ADA 4.26.3 structural strength requirements for shower seats and fasteners (250lbs)

Product Dimensions



CORNER SEAT

Add a little luxury to your shower with our elegant Corner Seat that provides a solid surface to sit on while contributing to a peaceful bathroom environment.



500 SUPPORTS UP TO 500LBS

SIZE
18" radius



BAMBOO SEAT
Sustainable, hypoallergenic and naturally resistant to moisture, temperature and bacteria.

Frame Finishes

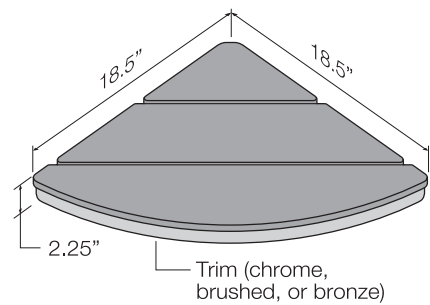
INV-WSCS-CP *INV-WSCS-BS* *INV-WSCS-ORB*
Chrome Brushed Bronze



ADA Compliant

Exceeds ADA 4.26.3 structural strength requirements for shower seats and fasteners (250lbs)

Product Dimensions



WARRANTY

All Invisia™ Collection products are covered by a one year limited. Buyer hereby indemnifies, agrees to hold harmless and defend the manufacturer/distributor of the Invisia™ Collection from and against any and all liabilities, claims, (founded and unfounded), losses, damages, costs and expenses (including without limitation consequential damages and reasonable professional fees) resulting from buyers specification, application, or improper use of goods described hereon; buyers omission or neglect. The manufacturer/ distributor of the Invisia™ Collection does not assume any liability for damage resulting from services performed by others or faulty installation, misuse or misapplication of goods. The manufacturer/ distributor of the Invisia™ Collection shall not be liable for prospective profits or special, indirect, or consequential damages, or for the cost of any corrective work done without prior approval. Manufacturer/ distributor of the Invisia™ Collection total liability hereunder shall in no event exceed the purchase price of the goods specified hereon.

BAMBOO

To retain the natural beauty of bamboo, each slat is finished with an extremely durable 2 part natural oil finish that does not contain volatile organic compounds (VOCs) or other harmful chemicals. While uncommon, water discoloration may be noticed when exposed to the wood and this is due to the natural oils in the wood reacting with minerals present in certain types of water (referred to as leaching). The applied oil finish reduces the effects of this natural discoloration and it should fade over time, but wipe down after use if discoloration is observed. No two seats are exactly alike and indentations, slight cracks and color variations are to be expected. WOOD CONTACT SENSITIVITY: Sensitivity to bamboo is uncommon but some people may experience skin irritation. Test if unsure.

All designs & specifications subject to change without notice.



INVISIA
LIVE BEAUTIFULLY

2790 Fenton Road
Ottawa Canada
K1T 3T7

t. 613.822.1885
f. 613.822.1886
tf. 1.888.619.9992

w. invisiacollection.com
e. info@invisiacollection.com

